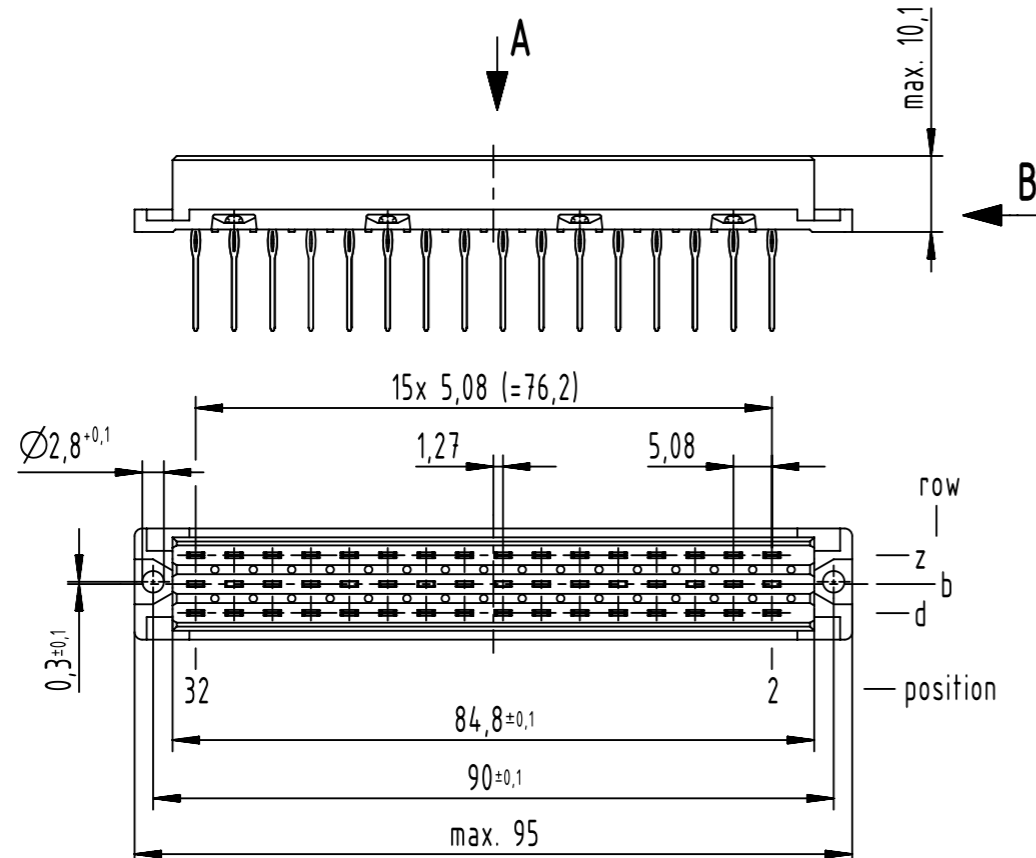
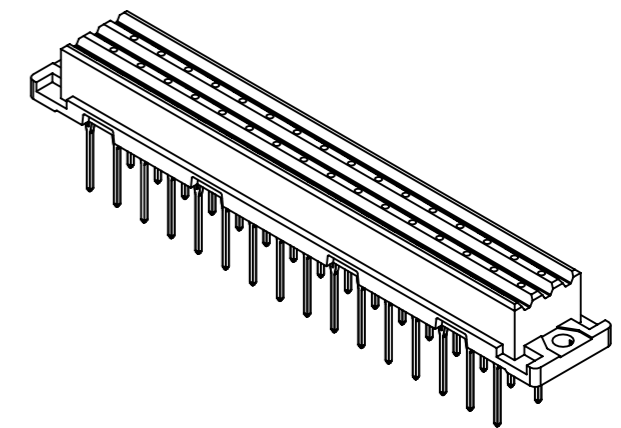
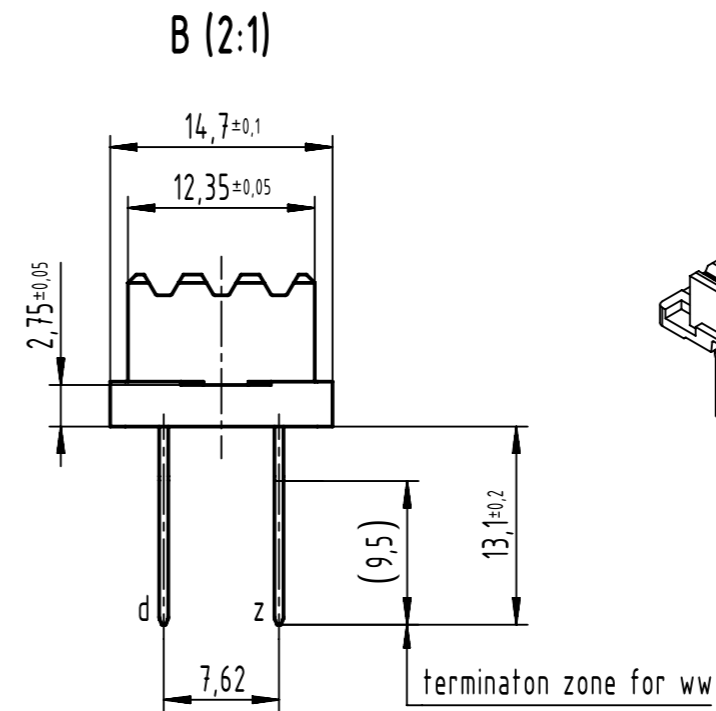
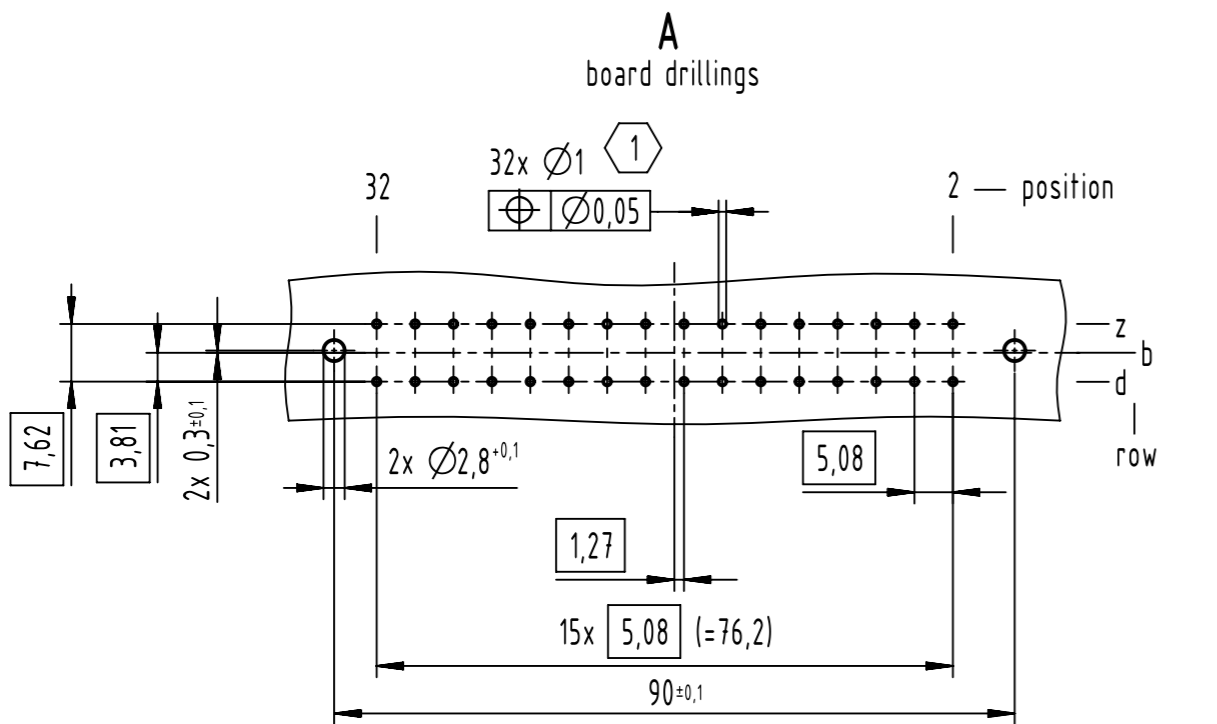


32 press-in contacts

☒ = press-in contact

□ = position without contact



1 recommended configuration of plated through holes and further information see product data sheet

09 06 232 7897	3
09 06 232 6897	2
09 06 232 2897	1
part no.	performance level

All rights reserved Department EL PD		All Dimensions in mm Original Size DIN A3	Scale 1:1 Free size tol. complementary IEC 60603-2	Ref. Sub.
HARTING D-32339 Espelkamp	Created by STORCK	Inspected by LEHNERT	Standardisation 302077	Date 2021-04-13
Title DIN Power type F low-profile female press-in 13.1				State Final Release
Type TB		Number 0906232X897		Doc-Key / ECM-Nr. 100102874/UGD/011/C 500000191610
			Rev. C	Page 1/1